

sunlite®

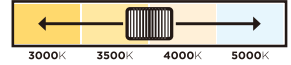
INSTALLATION INSTRUCTIONS

LED STRIP LIGHTS | 85463-SU, 85464-SU, 85465-SU, 85466-SU, 85467-SU, 85468-SU, 85469-SU, 85473-SU, 85475-SU,

0-10V DIMMABLE

Compatible with most wall based 0-10V dimming controllers

COLOR TUNABLE SWITCH

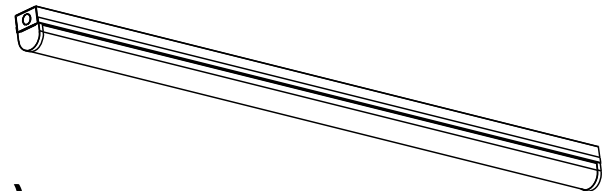


Please read and understand this entire manual before attempting to assemble, operate or install the product.



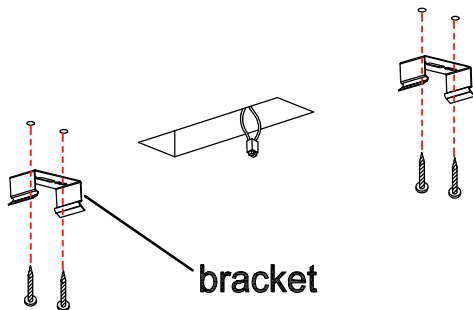
WARNINGS & CAUTIONS: Risk of fire or electric shock. Turn power off before inspection, installation, or removal. Before installation, thoroughly review enclosed installation manual. This product must be installed in accordance with the applicable installation code by a person familiar with the construction and operation of the product and the hazards involved. If you do not have sufficient electrical wiring experience, please consult a qualified electrician. All work should be done by a qualified electrician. Do not make or alter any open holes in an enclosure of wiring or electrical components during installation. To prevent wiring damage or abrasion, do not expose wiring to edges of sheet metal or other sharp objects. Do not install this fixture where there is risk of rain or moisture exposure. Install this kit only in the luminaires that have the construction features and dimensions shown in the instructions. Not for emergency lighting. Ambient operating temperature -20°C – 60°C (-4°F – 140°F). Suitable for damp locations.

Retain these instructions for future reference.

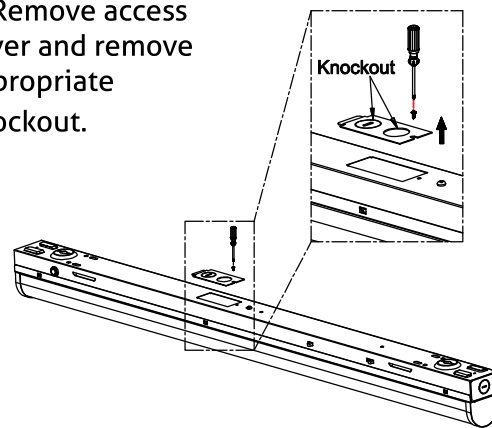


INSTALLATION (see page 2 for other installation options)

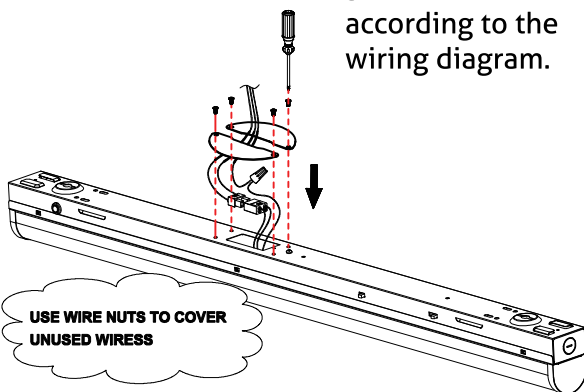
1. Install fixture brackets to surface using the appropriate anchors and/or screws.



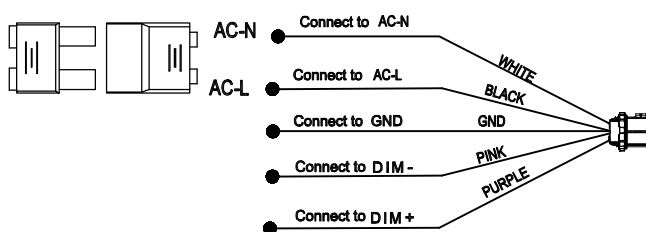
2. Remove access cover and remove appropriate knockout.



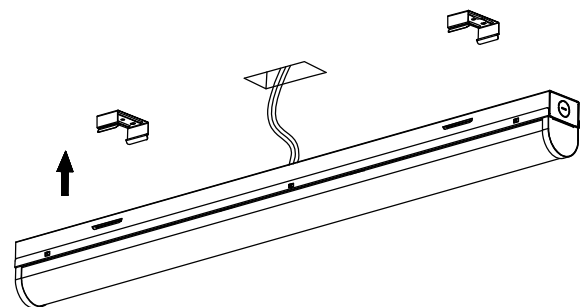
3. Wire the fixture according to the wiring diagram.



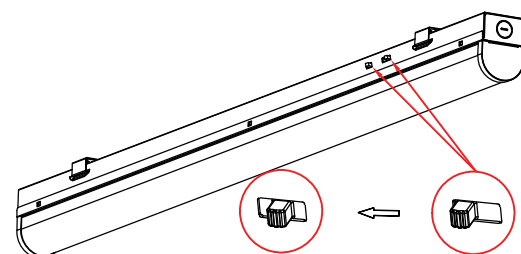
Wiring Diagram



4.

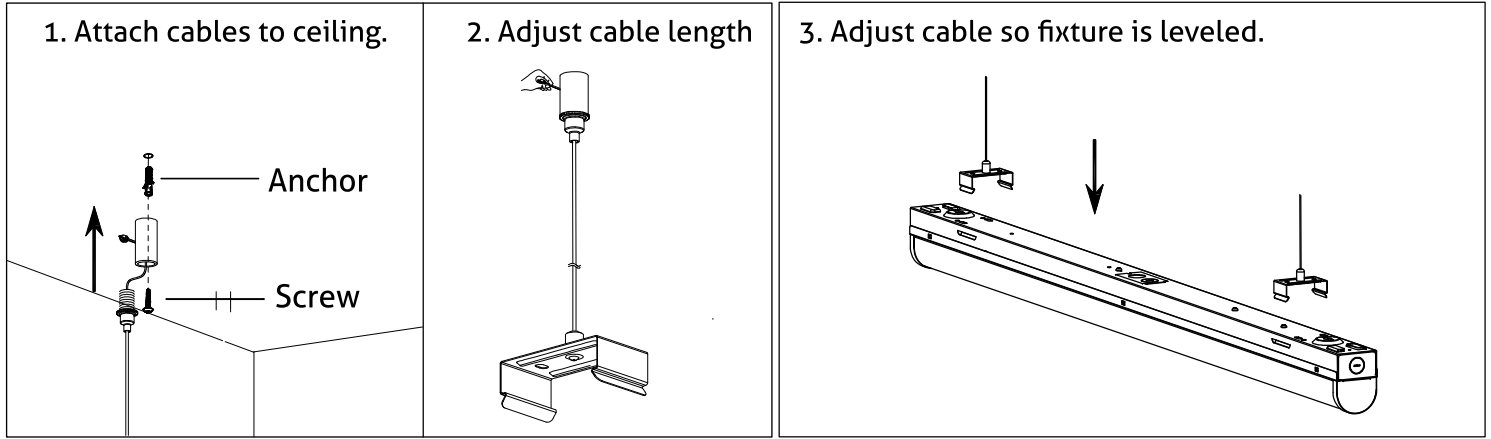


5.



CCT and WATT Selector Switches

CABLE SUSPENSION



CHAIN SUSPENSION

