

sunlite®

INSTALLATION INSTRUCTIONS

LED STRIP LIGHT FIXTURE | 85550, 85551, 85552, 85553

Please read and understand this entire manual before attempting to assemble, operate or install the product.

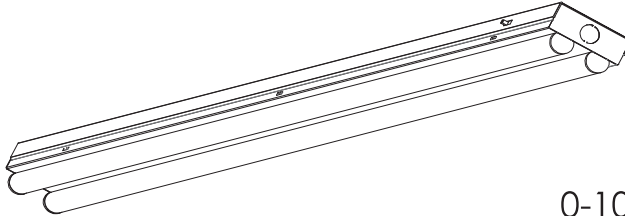
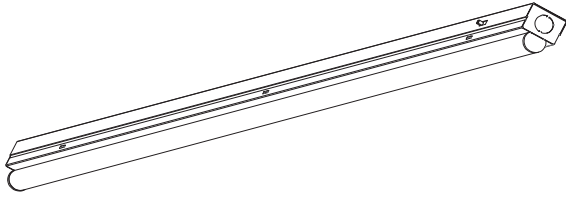
WARNING: Avoid fire or electric shock. This product must be installed in accordance with the applicable installation code by a person familiar with the construction and operation of the product and the hazards involved. Before installing the fixture, ensure that all parts are present and same as the part list. If any part is missing or damaged, do not attempt to assemble, install, or operate this fixture. **DO NOT REMOVE OR ATTEMPT TO REMOVE LEDs.**



CAUTION: Turn off the power at fuse or circuit breaker box before installation and maintenance to avoid electric shock. Select suitable location that can support the weight of the fixture. This fixture requires a 120-277Volt AC power source. Fixture must be installed according to National Electric Code and local building codes. Compatible with most wall based 0-10V dimmers. Ambient operating temperature -20°C - 55°C (-4°F - 131°F). Suitable for Damp locations.

This device complies with part 15 of the FCC Rules. Operation is subject to the following two conditions: (1) this device may not cause harmful interference, and (2) this device must accept any interference received, including that may cause undesired operation.

Retain these instructions for future maintenance reference.



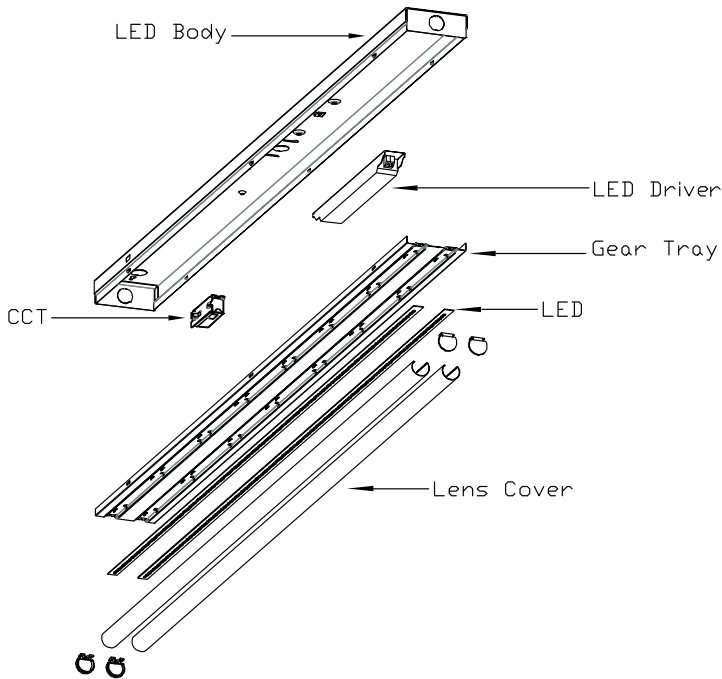
0-10V DIMMABLE

Compatible with most wall based 0-10V dimming controllers



Layout

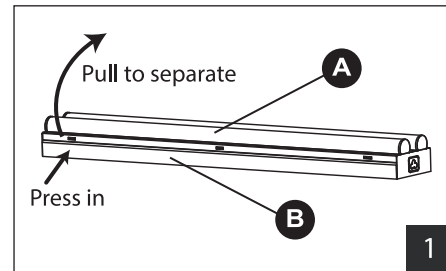
You are able to see a full layout fixture, this will allow you to access the LED's or the LED drivers. this component layout will help on the installation of this fixtures.



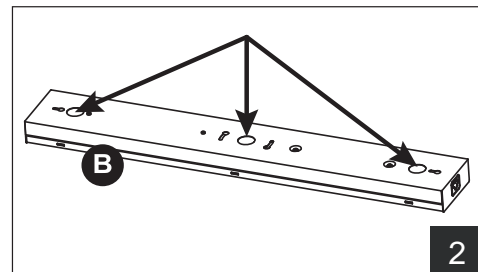
Installation

STEP 1. Make sure the power is turned off at the source to the junction box.

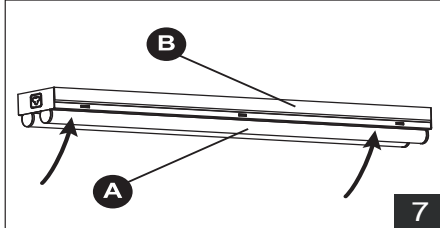
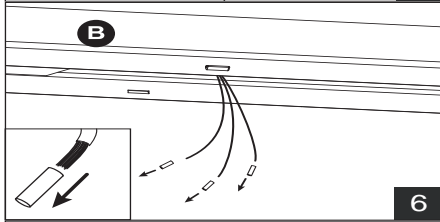
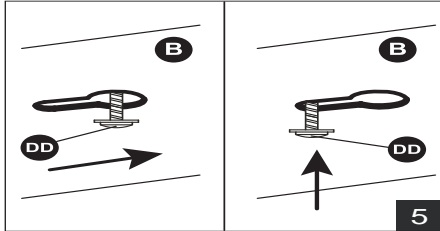
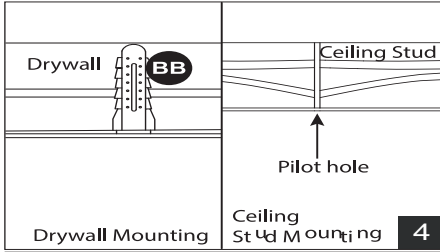
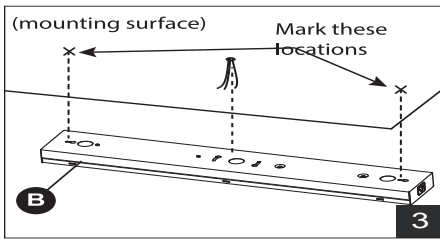
STEP 2. Gently press housing base (B) near one end of the fixture while pulling the metal part of the LED cover assembly (A) so that housing separates at the seam as show. see **Fig 1.**



STEP 3. Set aside the LED cover assembly(A), and set the housing base (B) on a firm surface with the back side facing up. Determining which knockout will be used to align with the wiring from the mounting surface and using a screwdriver, punch out the knockout hole and dispose of the knockout. see **Fig 2.**



Installation(continued)



STEP 4. Align knockout hole with the supply wire location on the mounting surface and hold the housing base (B) up in its intended location with one hand while marking the location of the two keyhole slots at each end of the fixture plate. see **Fig 3**.

STEP 5. DRYWALL MOUNTING: if the mounting holes go through drywall without a stud, drill four small pilot holes using a 1/8in. drill bit (not included), and install drywall anchors (AA) into the holes with a hammer (not included). **CEILING STUD MOUNTING:** if the mounting holes go through ceiling studs, drill four small pilot holes using a 5/32in. drill bit (not included) for the wood screws (CC).

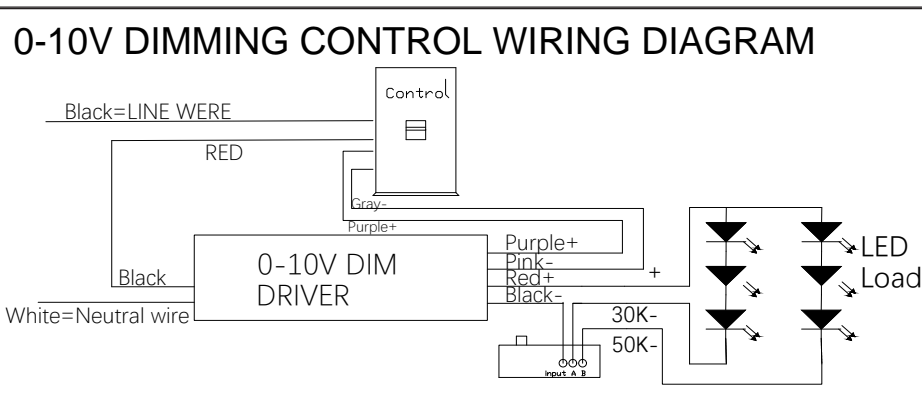
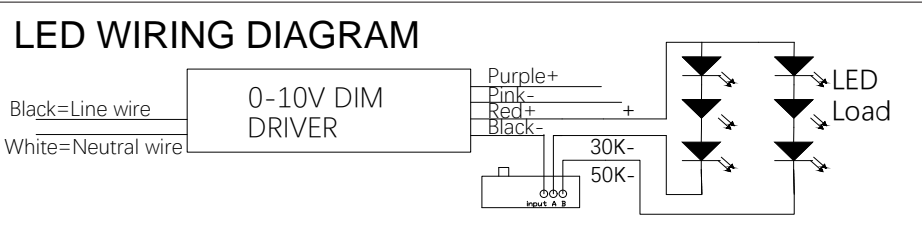
Note: install Wood screws (CC) but leave about 1/2in. of space between the screw head and mounting surface. see **Fig 4**.

STEP 6. Feed the supply wires from the mounting surface through the knockout hole on the housing base (B). Guide the heads of the two wood screws into the keyhole slots and slide the housing base (B) in the direction such that the wood screw heads rest over the narrow part of the keyhole slot. Ensure that the fixture is supported and tighten the two wood screws (CC) until the fixture is secured to the mounting surface. see **Fig 5**.

STEP 7. Connect the fixture wires to the supply wires -- black to black, white to white and green to copper/bare. **WARNING:** if there is no ground supply wire, stop installation and consult a qualified electrician. once wire connections are made, secure each with a wire nut (BB). see **Fig 6**.

STEP 8. Snap the LED cover assembly (A) back onto the housing base (B) to complete the installation. **Fig 7**.

WIRING DIAGRAM



Sunshine Lighting Company
 744 Clinton Street Brooklyn, NY 11231, USA
 T. 718.768.7000
 F. 718.768.0970
 www.sunlite.com