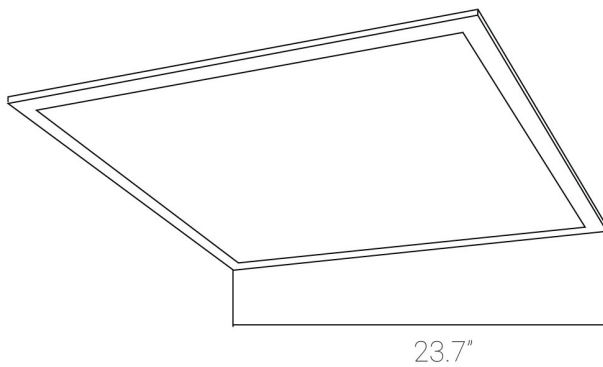


85641-SU



SF/BLI/FP/22/MW/83S/MV/WH/2PK

2x2 Backlit Lay-In Flat Panel, Wattage and CCT Selectable



Project: _____
Type: _____
Catalog #: _____
Date: _____
Comments: _____

Technical Specifications

Photometrics

Lumen	2500/3750/5000
Emitted Color	CCT Selectable
Color Temp	35K/40K/50K
Color Rendering Index (CRI)	80+
Beam Spread	120°
Lifespan	50000

Electrical

Watt	20/30/40
Input Voltage	120-277
Power Factor	0.9
Dimmable	0-10V Low Voltage

Ratings / Certifications

Safety Certification	UL Listed - Damp Location
Operating Temperature	-4°F - 104°F
Warranty	5 Years

Construction

Fixture Material	Steel, Aluminum & PMMA
Fixture Finish	White
Lens Material	PMMA
Lens Finish	Diffuse
Shape	Rectangle
Mounting	Recessed
Usage	Indoor