

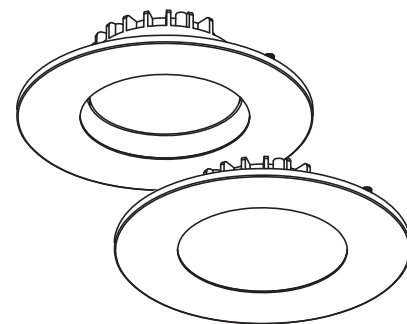
Installation Instructions

Please read and understand this entire manual before attempting to assemble, operate or install the product. Retain for future reference.

WARNING: Avoid fire or electric shock. Follow installation instructions carefully. If unsure about electrical installation, consult a qualified electrician. Wear rubber-soled shoes and work on a sturdy wooden ladder. Ground fixture to avoid potential electric shock. Handle metal parts carefully to prevent cuts. To avoid a hazard to children, account for all parts and destroy all packing materials. Type IC - inherently protected. Airtight rated. Use only on 120 volt 60Hz circuits. Operating temperature -30°C – 40°C (-22°F – 104 °F). This product is suitable for wet locations.

Turn off power at fuse or circuit breaker box before installation and maintenance. Fixture must be installed according to National Electric Code and local building codes. If you are unsure about wiring, consult a qualified electrician. **THIS FIXTURE BODY IS ONE PIECE, DO NOT DISASSEMBLE OR MAKE ALTERATIONS.**

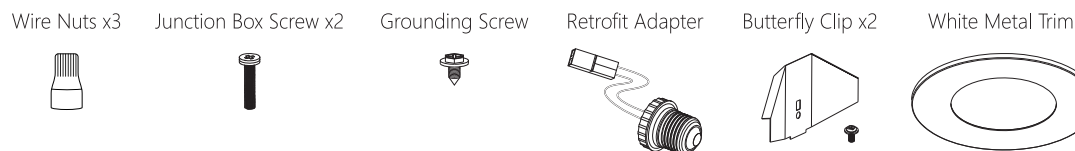
LIMITED WARRANTY: This fixture is warranted to be free from defects in workmanship and material for up to 5 years when used in accordance with package and fixture directions. Visit www.sunlite.com/warranty for more information and for warranty claim.



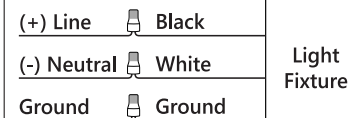
The following dimmers have been tested and are compatible with this fixture.

BRAND	Leviton	Lutron	Illumatech
MODEL	R70-661-1LW	DV-600P, DVCL-153P, SELV-300P	IPI06-1LZ

Included Hardware



Wiring Diagram

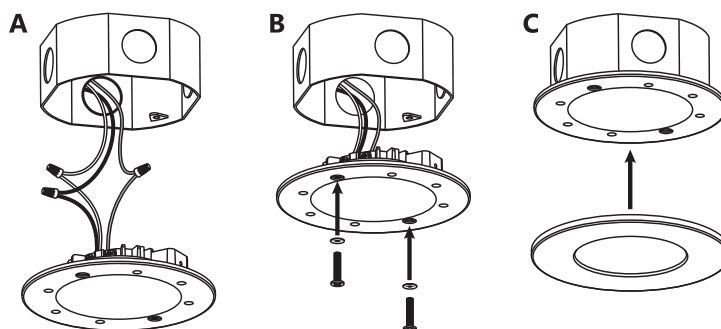


WARNING! BEFORE PROCEEDING, PLEASE ENSURE POWER HAS BEEN SWITCHED OFF.

For installation to octagon junction box

(REGRESSED VERSION MUST USE A DEEP JUNCTION BOX)

1. Pull out the source wires from the junction box. Connect wires (using wiring diagram) to fixture (Fig. A). Cap connections with wire nuts (included).
2. Push wires into junction box then secure assembly with screws (included). (Fig B)
3. Attach trim by placing over fixture, which will snap into place via magnetic connectors. (Fig. C)



For installation to 4" recessed can

1. Remove existing bulb and trim from recessed can.
2. Secure the butterfly clips to the fixture with screws (Fig. D)
3. Secure the medium base adapter into socket in recessed housing. (Fig. E)
4. Insert the wires from the fixture into the quick connector. Connect the live (black) wire to the marked slot of the quick connector (Fig. F)
5. Connect the ground wire (yellow-green) by securing the terminal ring to the recessed housing using the provided self-tapping screw. Connect the quick connectors then push fixture up into recessed can and ensure it is secure. (Fig. G)
6. Attach trim by placing over fixture, which will snap into place via magnetic connectors. (Fig. C)

