

sunlite®

INSTALLATION INSTRUCTIONS

LED COMMERCIAL RECESSED DOWNLIGHT | 87732, 87733, 87734



Please read and understand this entire manual before attempting to assemble, operate or install the product.

WARNING: Avoid fire or electric shock. Follow installation instructions carefully. Risk of fire or electric shock. LED downlight installation requires knowledge of luminaires electrical systems. If not qualified, do not attempt installation. Contact a qualified electrician. Suitable for wet locations.

Install this kit only in luminaires that have the construction features and dimensions shown in the photographs and/or drawings and where the input rating of the retrofit kit does not exceed the input rating of the luminaire. Wear rubber-soled shoes and work on a sturdy ladder. Ground fixture to avoid potential electrical shock. Do not make or alter any open holes in an enclosure of wiring or electrical components during kit installation. To prevent wiring damage or abrasion, do not expose wiring to edges of sheet metal or other sharp objects.

CAUTION: Turn off the power at fuse or circuit breaker box before installation and maintenance to avoid electric shock. This fixture should be used on 120-277Volt fused circuits. Fixture must be installed according to National Electric Code and local building codes. If you are unsure about wiring consult a qualified electrician. **THIS FIXTURE BODY IS ONE PIECE, DON NOT DISASSEMBLE OR MAKE ALTERATIONS.** Not to be used for emergency lighting. Suitable for damp locations.

This device complies with part 15 of the FCC Rules. Operation is subject to the following two conditions: (1) this device may not cause harmful interference, and (2) this device must accept any interference received, including that may cause undesired operation.

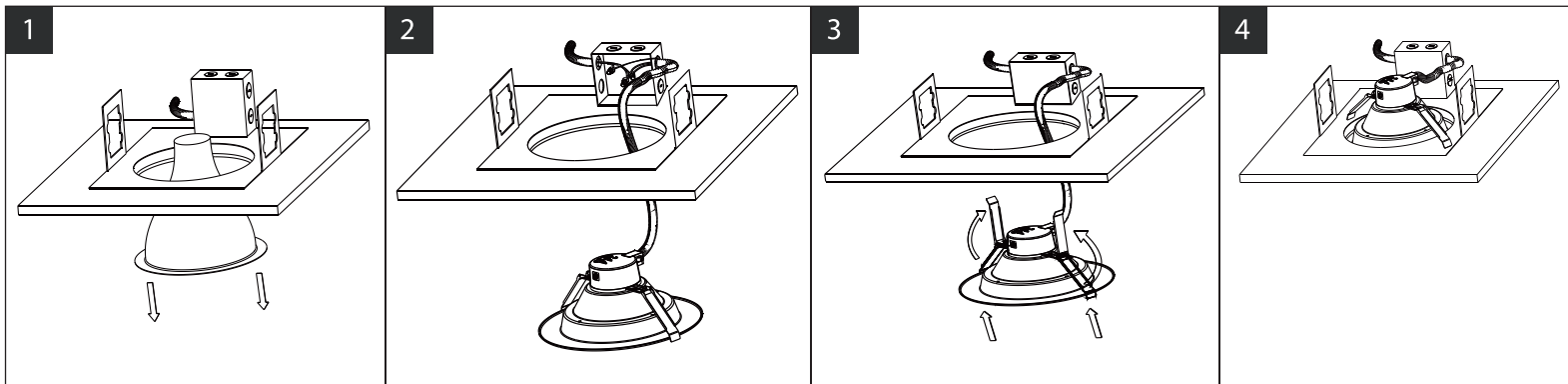
Retain these instructions for future maintenance reference.

Installation

Illustrations on the manual are for installation purpose only. It may not be identical to the fixture purchased.

DIMMABLE

Compatible with most wall based 0-10V dimming controllers



TURN OFF POWER AT FUSE BOX PRIOR TO INSTALLING:

STEP 1. Remove the existing lamps and trim (fig 1).

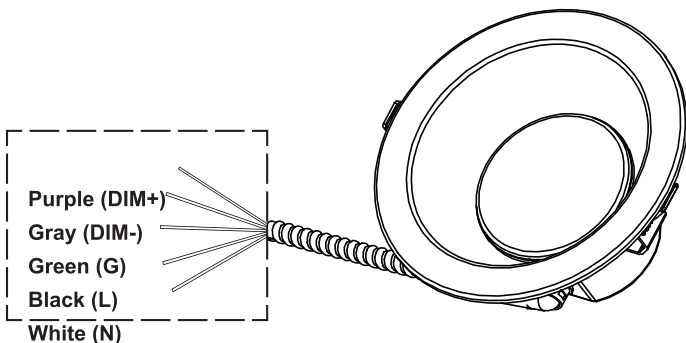
STEP 2. Open the J-Box and cut away all wires connected to the ballast. Insert fixture conduit into the J-Box and wire to power source (fig 2). *Black to hot, White to Neutral, Green to ground. Purple to hot terminal of the 0-10V dimmer or dimming system, Grey to Neutral terminal of the 0-10V dimmer or dimming system.* Reattach J-Box cover when done.

STEP 3. Set the power and white color temperature required, using the switches on fixture back.

STEP 4. Squeeze the two housing clips so they are in an upright position and insert fixture into housing (fig 3).

STEP 5. Once the fixture is inside the housing, release the housing clips and continue pushing the fixture into housing until secure and flush with ceiling (fig 4).

STEP 6. Restore power at the source.



Sunshine Lighting Company

744 Clinton Street Brooklyn, NY 11231, USA

T. 718.768.7000

F. 718.768.0970

www.sunlite.com