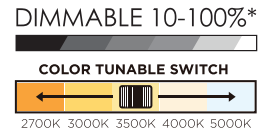


sunlite® INSTALLATION INSTRUCTIONS

LED Mushroom SCT Ceiling Fixture | 87761-SU, 87764-SU



Please read and understand this entire manual before attempting to assemble, operate or install the product.

WARNINGS & CAUTIONS: Risk of fire or electric shock. Turn power off before inspection, installation, or removal. Use only on 120 volt circuits. Before installation, thoroughly review enclosed installation manual. This product must be installed in accordance with the applicable installation code by a person familiar with the construction and operation of the product and the hazards involved. If you do not have sufficient electrical wiring experience, please consult a qualified electrician. Consult a qualified electrician to ensure correct branch circuit conductor. Risk of injury: Always wear the necessary safety equipment to prevent injuries when opening, handling, installing and maintainin this product. Do not make or alter any open holes in an enclosure of wiring or electrical components during installation. To prevent wiring damage or abrasion, do not expose wiring to edges of sheet metal or other sharp objects. If the product is damaged, do not attempt installation and do not use. Not for emergency lighting. Min 90°C supply conductors. Suitable for operation in ambient not exceeding 40°C. Operating temperature -20°C – 40°C (-4°F – 104°F). Suitable for damp locations.

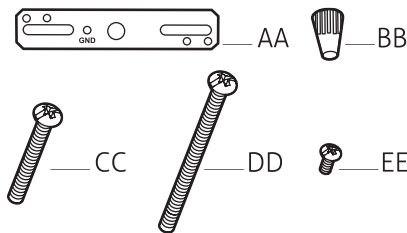
AVERTISSEMENT – Risque d'incendie ou de choc électrique. Ce produit doit être installé selon le code d'installation pertinent, par une personne qui connaît bien le produit et son fonctionnement ainsi que les risques inhérents. Consulter un électricien qualifié pour vous assurer que les conducteurs de la dérivation sont adéquats. Convient aux emplacements humides. Peut être utilisé à une température ambiante n'excédant pas 40°C. Les fils d'alimentation 90°C min. Cet appareil n'est pas destiné à être utilisé dans les issues de secours.

Retain these instructions for future reference.

TOOLS REQUIRED:

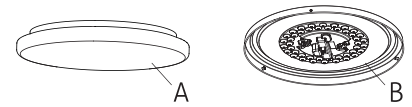
- Wire cutters
- Electrical Tape
- Wire Strippers
- Phillips Screwdriver

HARDWARE INCLUDED:



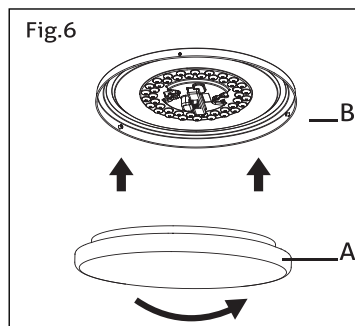
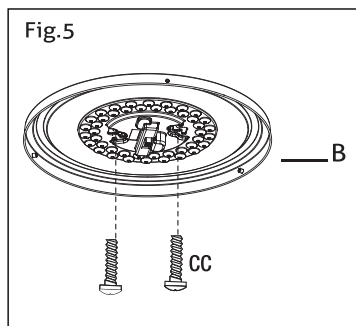
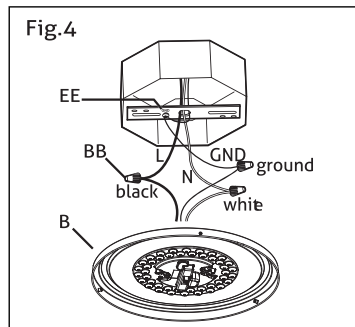
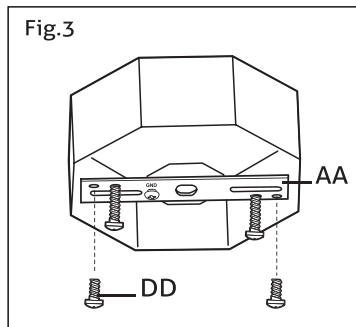
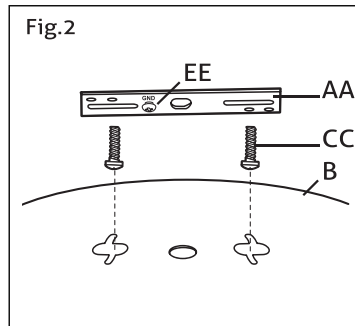
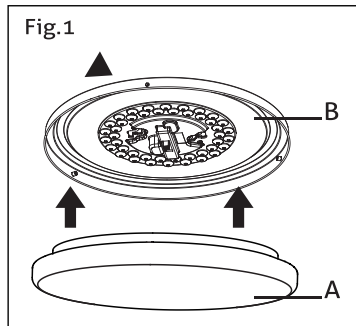
Part	Description	Quantity
AA	Mounting Bracket	1
BB	Wire Nut	3
CC	1-1/2 in. Machine Screw	2
DD	1/2 in. Machine Screw	2
EE	Ground Screw	1

PACKAGE CONTENTS:



Part	Description	Quantity
A	Cover	1
B	Fixture Body	1

Installation



WARNING: Be sure the electricity to the wires you are working on is shut off. Either remove the fuse or turn the circuit off.

PREPARING THE FIXTURE (Figure 1)

1. Remove the fixture body (B) from the cover (A) by turning it counterclockwise.

PREPARING THE MOUNTING BRACKET (Figure 2)

2. Align two of the threaded holes on the mounting bracket (AA) over one set of keyhole slots on the fixture body (B).
3. From the inside of the fixture body (B), insert the 1-1/2 inch screws (CC) and ground screw (EE) into the aligned holes, leaving approximately 1 inch of space between the screw heads and mounting bracket (AA). Remove the fixture body (B) from the mounting bracket before continuing.

INSTALLING THE MOUNTING BRACKET (Figure 3)

4. Attach the mounting bracket (AA) to the outlet box (not included) using the 1/2 inch screws (DD).

CONNECTING THE WIRES (Figure 4)

5. Use a wire connector (BB) to connect the ground wire from the fixture body (B) to the ground wire from the outlet box. (If ground wire is missing, secure to the green screw on the mounting bracket)
6. Use a wire connector (BB) to connect the white wire from the fixture body (B) to the white wire (neutral wire) from the outlet box.
7. Use a wire connector (BB) to connect the black wire from the fixture body (B) to the black wire (live wire) from the outlet box.
8. Wrap the three wire connections with electrical tape for a more secure connection.
9. Position the wires inside the outlet box.

SECURING THE FIXTURE (Figure 5)

10. Align the channels on the fixture with the screws (CC) protruding from the mounting bracket. Slide the fixture until it clicks into place over the screws (CC). Tighten the screws (CC) to secure the fixture body (B) in place. Select desired CCT prior to closing the cover.

ATTACHING THE COVER (Figure 6)

11. Attach the cover (A) onto the fixture body (B) by turning it clockwise.