

## INSTALLATION INSTRUCTIONS

### LED FLUSH MOUNT FIXTURE

120VAC/60Hz Input, Dimmable

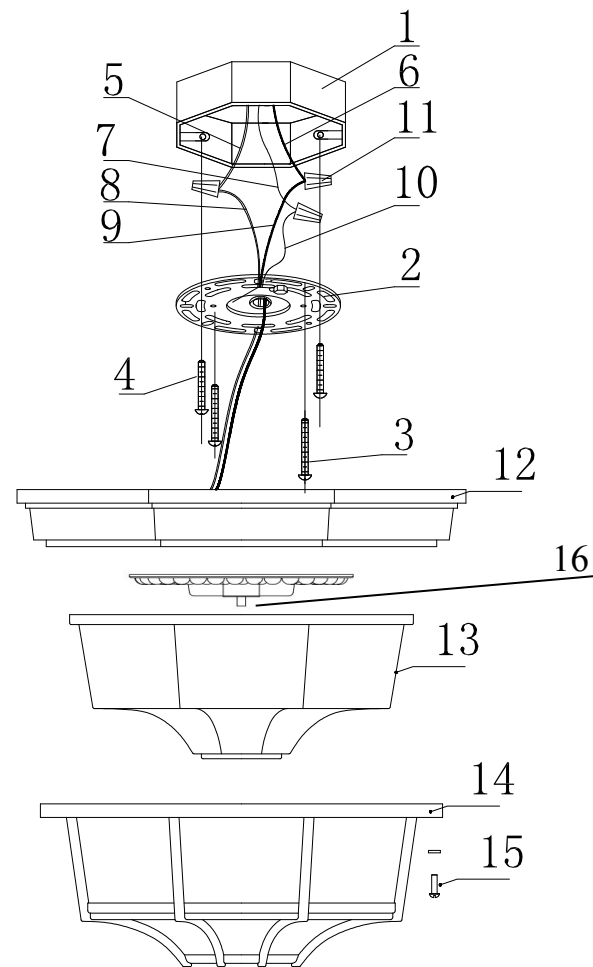
#### READ AND FOLLOW SAFETY INFORMATION

**CAUTION** - Turn off the main power at the circuit breaker before installing and servicing the fixture to prevent possible injury from electric shock.

All electrical connections must be in accordance with local and National Electrical Code (N.E.C.) standards. If you are unfamiliar with proper electrical wiring connections, obtain the services of a qualified electrician.

#### INSTALLATION & ASSEMBLY

1. Pull the SUPPLY WIRES (5 & 6) and the HOUSE GROUND WIRE (7) out from the OUTLET BOX (1) and attach the MOUNTING BRACKET (2) to the OUTLET BOX using the slotted holes on the MOUNTING BRACKET (2) and the MOUNTING SCREWS (3) provided.
2. Thread the FIXTURE SCREWS(4) into the appropriate threaded holes of the MOUNTING BRACKET (2).
3. Connect the power supply wires to the fixture lead wires by connecting the BLACK FIXTURE WIRE (9) to the BLACK SUPPLY WIRE (6), and the WHITE FIXTURE WIRE (8) to the WHITE SUPPLY WIRE (5) using WIRE CONNECTOR (11). Connect the fixture GROUND WIRE (7) to the SUPPLY GROUND WIRE (10) by fixed on the MOUNTING BRACKET (2).
4. Carefully tuck all wiring back into the OUTLET BOX. Raise the fixture pan (12) to mounting surface allowing for mounting screws(4) to protrude through key slots. Rotate the FIXTURE PAN (12) clockwise until screws are in narrow part of key slots, and tighten securely. Color Temperature Switchable(16): Could change colors easily by switching the button on ceiling pan to select colors from 3000K to 4000K and 5000K.
5. Final assembly- Secure the lens (13) and ring (14) to fixture pan (12) using three cap nuts (15).
7. Installation complete, restore power at the circuit breaker and turn light switch on to activate this fixture.
8. This is integrated led fixture, no bulbs to replace



- |                          |                         |
|--------------------------|-------------------------|
| 1. OUTLET BOX (EXCLUDED) | 9. BLACK FIXTURE WIRE   |
| 2. MOUNTING BRACKET      | 10. FIXTURE GROUND WIRE |
| 3. MOUNTING SCREW        | 11. WIRE CONNECTOR      |
| 4. FIXTURE SCREW         | 12. FIXTURE PAN         |
| 5. WHITE SUPPLY WIRE     | 13. ACRYLIC SHADE       |
| 6. BLACK SUPPLY WIRE     | 14. RING                |
| 7. HOUSE GROUND WIRE     | 15. CAP NUT             |
| 8. WHITE FIXTURE WIRE    | 16. CCT Switch          |