



4" LED DOWNLIGHT 10W 5CCT TUNABLE

INSTALLATION INSTRUCTIONS

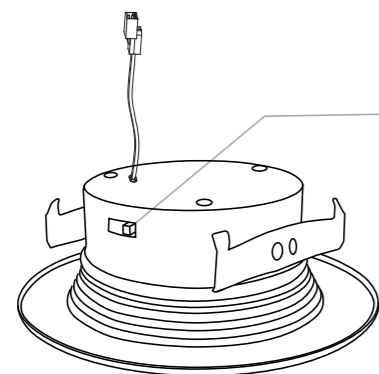
⚠ WARNING

- Risk of fire or electric shock. LED Retrofit Kit installation requires knowledge of luminaires electrical systems. If not qualified, do not attempt installation. Contact a qualified electrician.
- Risk of fire or electric shock. Install this kit only in luminaires that have the construction features and dimensions shown in the photographs and/or drawings and where the input rating of the retrofit kit does not exceed the input rating of the luminaire.
- To prevent wiring damage or abrasion, do not expose wiring to edges of sheet metal or other sharp objects.
- Do not make or alter any open holes in an enclosure of wiring or electrical components during kit installation.
- THE RETROFIT KIT IS ACCEPTED AS A COMPONENT OF A LUMINAIRE WHERE THE SUITABILITY OF THE COMBINATION SHALL BE DETERMINED BY CSA OR AUTHORITIES HAVING JURISDICTION.

I SAFETY INSTRUCTIONS

1. Read instructions carefully before attempting to install this light.
2. Disconnect power before installing or servicing.
3. This light must be wired in accordance with the local codes and ordinances.

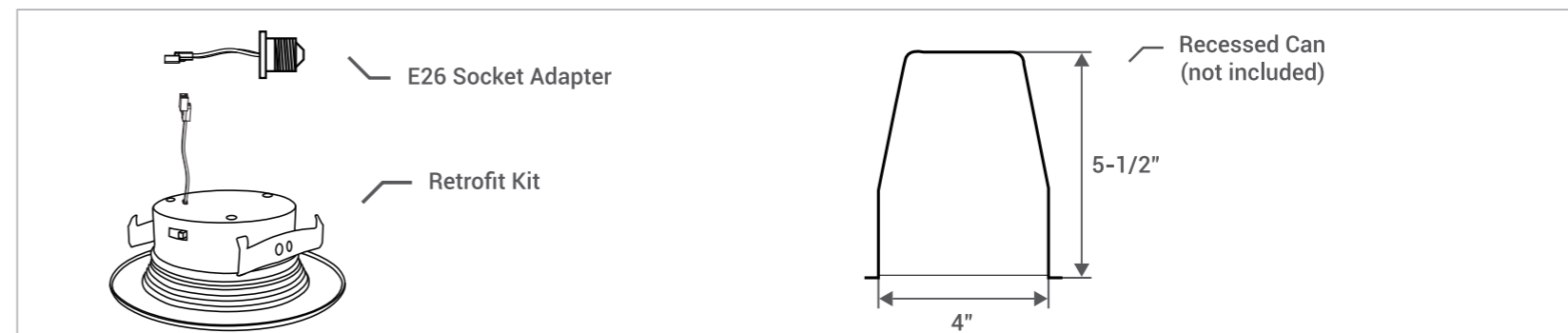
II COLOR TEMPERATURE SETTING



Adjustable Color Temperature Switch

Adjust the color temperature by switching the button on the back to 2700K, 3000K, 3500K, 4000K or 5000K. Set your preferred color temperature before you install the light.

III PARTS AND HOUSING DIMENSIONS



IV INSTALLATION INSTRUCTIONS

1. Unscrew the wing nut inside the can to remove the socket bracket. Disengage the socket from the socket bracket by pressing in on the two spring clips (Fig. 1).
2. Thread the socket adapter into the socket (Fig. 2).
3. Plug in the two cord plugs together (Fig. 3).
4. Tuck all the wires carefully into the can and push retrofit kit into the can (Fig. 4).
5. Turn on the power to operate the unit.

