

# sunlite®

## INSTALLATION INSTRUCTIONS

LED Double Band SCT Ceiling Fixture

DIMMABLE 10-100%\*

COLOR TUNABLE SWITCH

2700K 3000K 3500K 4000K 5000K



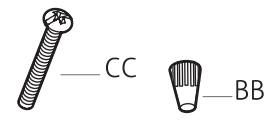
**Please read and understand this entire manual before attempting to assemble, operate or install the product.**

**WARNINGS & CAUTIONS:** Risk of fire or electric shock. Turn power off before inspection, installation, or removal. Use only on 120 volt circuits. Before installation, thoroughly review enclosed installation manual. This product must be installed in accordance with the applicable installation code by a person familiar with the construction and operation of the product and the hazards involved. If you do not have sufficient electrical wiring experience, please consult a qualified electrician. Consult a qualified electrician to ensure correct branch circuit conductor. Risk of injury: Always wear the necessary safety equipment to prevent injuries when opening, handling, installing and maintainin this product. Do not make or alter any open holes in an enclosure of wiring or electrical components during installation. To prevent wiring damage or abrasion, do not expose wiring to edges of sheet metal or other sharp objects. If the product is damaged, do not attempt installation and do not use. Not for emergency lighting. Min 90°C supply conductors. Suitable for operation in ambient not exceeding 40°C. Operating temperature -20°C – 40°C (-4°F – 104°F). Suitable for damp locations.

**AVERTISSEMENT –** Risque d'incendie ou de choc électrique. Ce produit doit être installé selon le code d'installation pertinent, par une personne qui connaît bien le produit et son fonctionnement ainsi que les risques inhérents. Consulter un électricien qualifié pour vous assurer que les conducteurs de la dérivation sont adéquats. Convient aux emplacements humides. Peut être utilisé à une température ambiante n'excédant pas 40°C. Les fils d'alimentation 90°C min. Cet appareil n'est pas destiné à être utilisé dans les issues de secours.

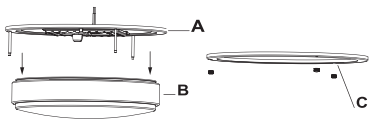
*Retain these instructions for future reference.*

**HARDWARE INCLUDED:**



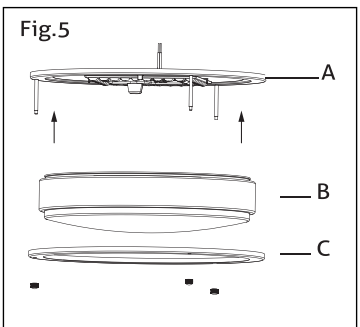
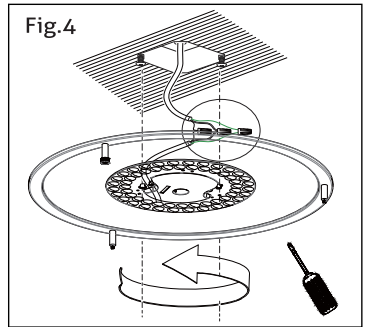
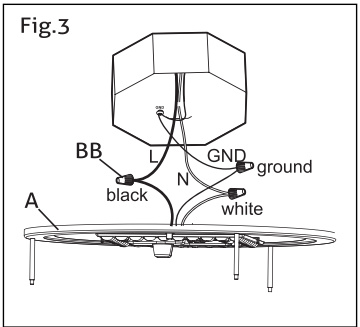
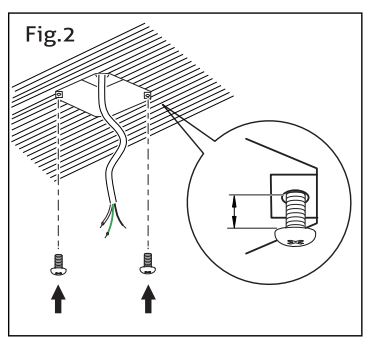
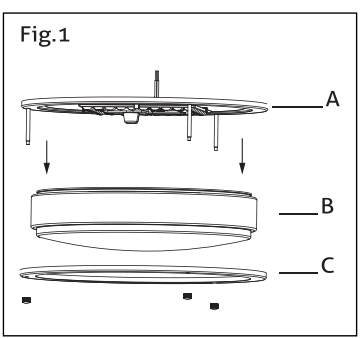
Part	Description	Quantity
BB	Wire Nut	3
CC	25mm Machine Screw	2

**PACKAGE CONTENTS:**



Part	Description	Quantity
A	Baseboard	1
B	Cover	1
C	Ring	1

# Installation



**WARNING:** Be sure the electricity to the wires you are working on is shut off. Either remove the fuse or turn the circuit off.

**PREPARING THE FIXTURE**

1. Unscrew the caps, remove the cover (B) and ring (C) from the baseboard (A) (Figure 1)

**MOUNTING THE FIXTURE**

2. Thread screws into junction box leaving a 1/16" gap between box and screw head.  
 3. Remove lens from light.

**CONNECTING THE WIRES (Figure 3)**

4. Use a wire connector (BB) to connect the ground wire from the baseboard (A) to the ground wire from the outlet box.  
 5. Use a wire connector (BB) to connect the white wire from the baseboard (A) to the white wire (neutral wire) from the outlet box.  
 6. Use a wire connector (BB) to connect the black wire from the baseboard (A) to the black wire (live wire) from the outlet box.  
 7. Wrap the three wire connections with electrical tape for a more secure connection.  
 8. Position the wires inside the outlet box.

**SECURING THE FIXTURE (Figure 4)**

9. Place light cover screw heads and rotate so that light is held up by screw heads. Tighten screws to secure light. Select desired CCT prior to closing the cover.

**ATTACHING THE COVER (Figure 5)**

10. Attach the cover (B) and ring (C) to the baseboard (A). screw up.