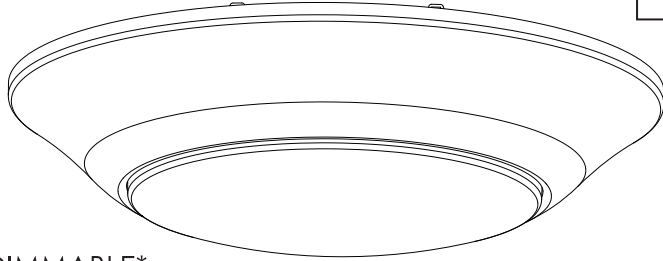


sunlite®

INSTALLATION INSTRUCTIONS

LED FLUSHMOUNT 5SCT DISC CEILING FIXTURES | 87798-SU



DIMMABLE*



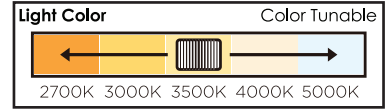
Please read and understand this entire manual before attempting to assemble, operate or install the product.

WARNING: Avoid fire or electric shock. Follow installation instructions carefully. If unsure about electrical installation, consult a qualified electrician. Wear rubber-soled shoes and work on a sturdy wooden ladder. Ground fixture to avoid potential electric shock. Handle metal parts carefully to prevent cuts. To avoid a hazard to children, account for all parts and destroy all packing materials. Operating temperature -20°C – 40°C (-4°F – 104 °F). This product is suitable for wet locations.

CAUTION: Turn off power at fuse or circuit breaker box before installation and maintenance. Fixture must be installed according to National Electric Code and local building codes. If you are unsure about wiring, consult a qualified electrician. THIS FIXTURE BODY IS ONE PIECE, DO NOT DISASSEMBLE OR MAKE ALTERATIONS.

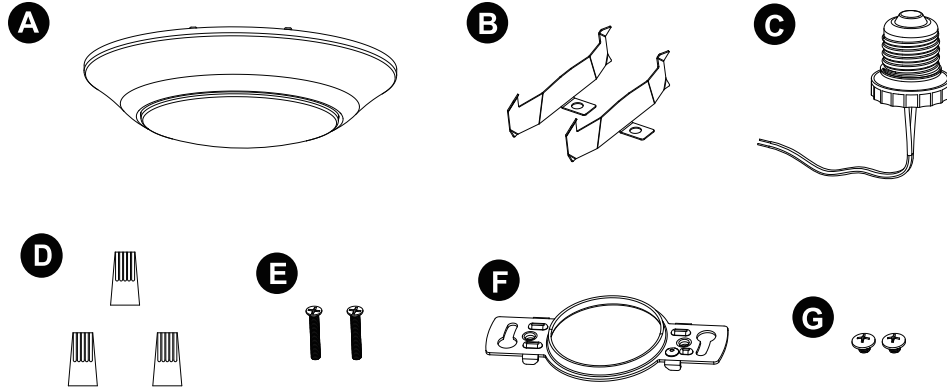
This device complies with part 15 of the FCC Rules. Operation is subject to the following two conditions: (1) this device may not cause harmful interference, and (2) this device must accept any interference received, including that may cause undesired operation.

*The fixture may not be compatible with all dimmers. Go to www.Sunlite.com/Dimmers to find dimmer compatibility information.



Sunlite's CCT tunable round LED disc fixture allows for selecting the light temperature to match a wide range of applications.

The CCT tunable selector switch contained within the fixture, allows the user to choose from 2700K to 5000K prior to installation.

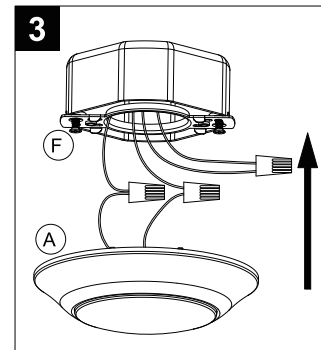
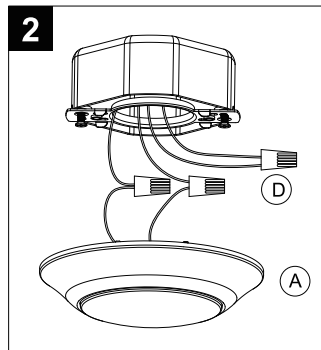
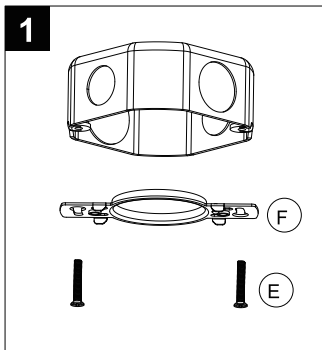


PART	DESCRIPTION	QUANTITY
A	4in Round LED Disc	1
B	4"shrapnel	2
C	E26 Base Whip	1
D	Wire nut	3
E	Mounting Screws	2
F	Mounting brackets	1
G	Spring Holder Screws	2

Installation

WARNING! BEFORE PROCEEDING, PLEASE ENSURE POWER HAS BEEN SWITCHED OFF.

- For 4" junction box installation: Attached the Mounting brackets (F) to the junction box using the twomounting screws (E). **FIG. 1.**
- Pull out the source wires from the outlet box. Make wire connections to fixture (A) using wire nuts (D) as follows: black to black, white to white, and ground to ground. Carefully put the wires back into the outlet box. **FIG. 2.**
- Align the springs on the back of the fixture with the slots on the Mounting brackets (F). Push the fixture upwards until the springs engage with the Mounting brackets (F) and the fixture is flush with the ceiling and firmly held in place. **FIG. 3.**



Installation

1. For 4" recessed housing installation: Secure the 4" shrapnels (B) to the Mounting brackets (F) using the Spring Holder Screws (G). Then, connect the Mounting brackets (F) to the back of the disc light (A) by snapping into place. **FIG. 4.**
2. Connect the E26 base whip (C) to the fixture (A) by making wire connections using wire nuts (D): black to black and white to white. Tuck the ground wire away. Then, connect the E26 base whip (C) to the socket inside of the recessed housing by screwing into the socket. **FIG. 5.**
3. Push the disc light (A) up into the recessed housing, being sure not to pinch or nick any of the wires. **FIG. 6.**

