

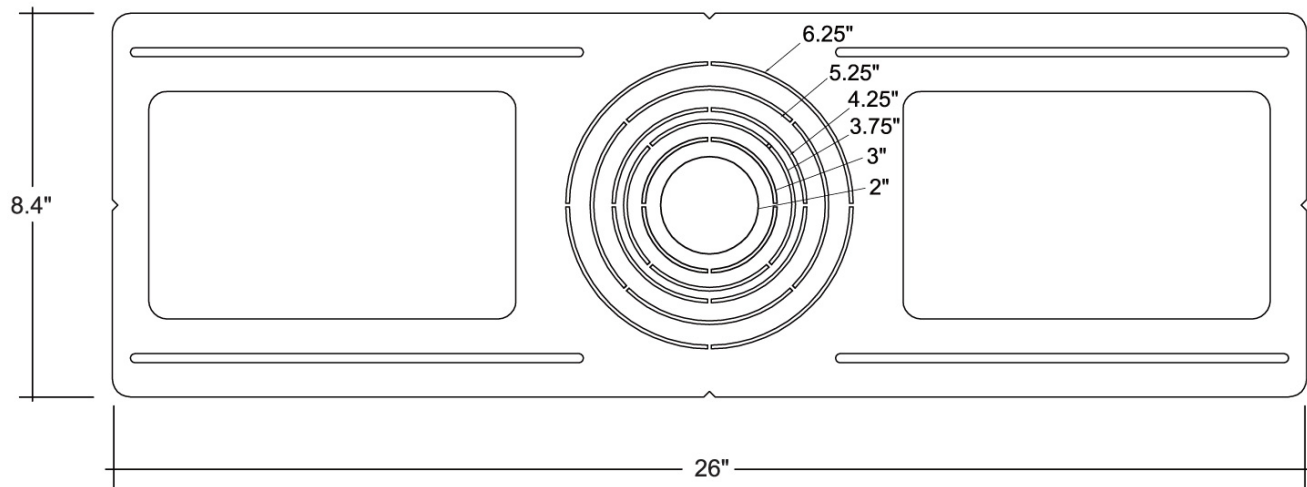
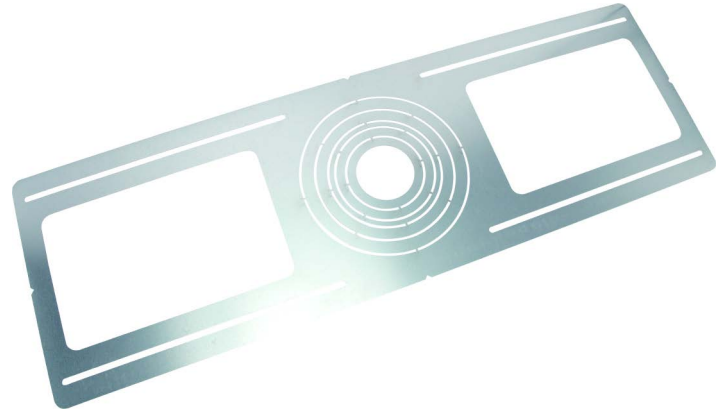
Sunlite Universal New Construction Mounting Plate

DESCRIPTION:

Sunlite's Universal New Construction Mounting Plate fits 1in to 6in LED Recessed Downlights. It's the perfect choice for new construction homes or commercial spaces.

FEATURES:

- Accommodates a wide range of recessed downlights.
- Made of high quality galvanized steel.



SPECIFICATIONS:

General Characteristics

Material | Galvanized Steel

Additional Features

Use Location | Indoor

Product Dimensions

Size | (W) 8.4" (L) 26"

Product Data

Item UPC | 653703878188

Compatible Sunlite Downlights*

Inventory ID	Description
85564-SU	LFX/DAD/4R/90CRI/12W/3SCT 4" Round Deep Regressed Downlight
85565-SU	LFX/DAD/4S/90CRI/12W/3SCT 4" Square Deep Regressed Downlight
85590-SU	LFX/DAD/4R/18W/90CRI/5SCT/WH 4" Regressed Downlight
85591-SU	LFX/DAD/6R/24W/90CRI/5SCT/WH 6" Regressed Downlight
87707-SU	LFX/SDL/6R/12W/SCT 6" Round Slim Downlight
87732-SU	LFX/CRD/SCT/6R/MW/D/6" Round Commercial Remodel Downlight
87735-SU	LFX/CRD/SCT/6R/22W/6" Round Commercial Remodel Downlight
87800-SU	LFX/SDL/4R/12W/90CRI/5SCT 4" Round Slim Downlight
87801-SU	LFX/SDL/6R/14W/90CRI/5SCT 6" Round Slim Downlight
87802-SU	LFX/SDL/4S/12W/90CRI/5SCT 4" Square Slim Downlight
87805-SU	LFX/SDL/4S/12W/90CRI/5SCT/BK 4" Square Slim Downlight
87808-SU	LFX/CRD/4R/90CRI/3MW/5SCT/V2 4" Round Commercial Recessed Downlight
87809-SU	LFX/CRD/6R/90CRI/3MW/5SCT/V2 6" Round Commercial Recessed Downlight

*Items not on this list may also be compatible. Contact factory with questions.