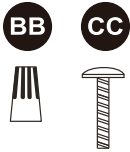




Introduction



Part	Item Name
A	HALF HEXAGON WALL SCONCE
BB	Wire Nuts
CC	4x30MM Screws

Please read and understand this entire manual before attempting to assemble, operate or install the product.

WARNING: Avoid fire or electric shock. Follow installation instructions carefully. If unsure about electrical installation, consult a qualified electrician. Wear rubber-soled shoes and work on a sturdy wooden ladder. Ground fixture to avoid potential electric shock. Handle metal parts carefully to prevent cuts. To avoid a hazard to children, account for all parts and destroy all packing materials. **MIN 75°C SUPPLY CONDUCTOR.**

This device complies with part 15 of the FCC rules. Operation is subject to the following two conditions: (1) This device may not cause harmful interference, and (2) this device must accept any interference received, including interference that may cause undesired operation.

CAUTION: Turn off the power at fuse or circuit breaker box before installation and maintenance. NOTE: This fixture is suitable for 120-277Volts fused circuit. Fixture must be installed according to National Electric Code and local building codes. If you are unsure about wiring, consult a qualified electrician. Suitable for wet Locations.

Before beginning assembly and installation of product, make sure all parts are present. Compare parts with package contents list and diagram above. If any part is missing or damaged, do not attempt to assemble, install or operate the product. Contact customer service for replacement parts.



Installation

Assembly Instructions

Step 1 – Preparing for installation.

- Disconnect electrical power at fuse or circuit breaker box before installing or servicing any part of this fixture.
- Carefully remove the fixture from the carton and check that all parts are included.
- Disassemble mounting bracket (1) from the backboard (3) by removing all necessary components per illustration shown.
- Install mounting bracket (1) to the junction box (not included).

Wiring-all wiring must take place inside junction box (not included).

Step 2 – Wiring fixture.

- Make all wire connections to appropriate wire. Secure with wire nuts (provided).
- Connect the bare wire from the fixture and the supply power source ground wire.
- Connect the black wire from the fixture to the black (L) wire from supply power source.
- Connect the white wire from the fixture to the white (N) wire from supply power source.
- Pull on each wire lead to make sure connections are secure. Make certain no bare wires are exposed outside of wire connectors. Tuck all connections neatly into the junction box.

Step 3 – Color changing temperature adjustment, CCT (if desired)

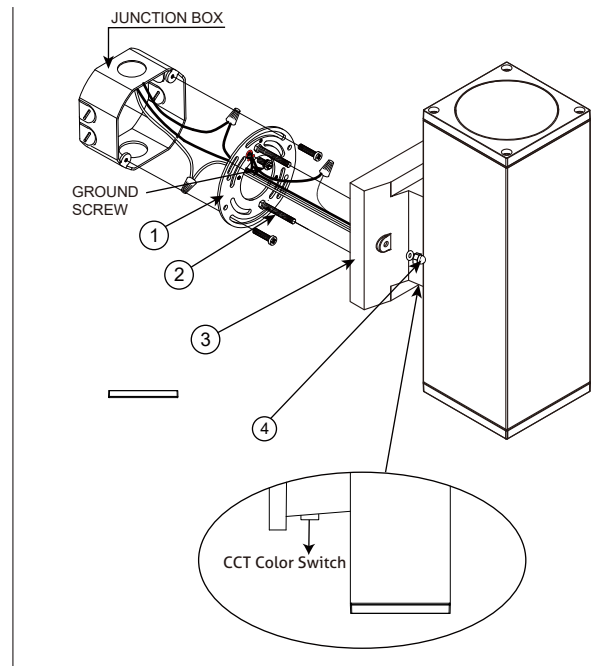
Adjust CCT switch on the module of the fixture according to the desired color temperature as shown below.

Note: Fixture is preset to 3000K from factory.

Step 4 – Mounting.

- Place the backboard (3) on the mounting bracket (1), install the backboard (3) by twisting finials (4). Make sure the unit is tightened against the surface of the wall.
- Apply a small amount of silicone (not included) per manufacturer's instruction around finials (4) and around the backboard (3) where it contacts with the surface of the wall.

Step 5 – Restore power at fuse or circuit breaker box.



Sunshine Lighting Company

744 Clinton Street Brooklyn, NY 11231, USA

T. 718.768.7000

F. 718.768.0970

www.sunlite.com