

# LED FLUSH MOUNT FIXTURE INSTALLATION INSTRUCTIONS

Please read carefully and save these instructions, as you may need them at a later date.

## CAUTION

Turn off the main power at the circuit breaker before installing and servicing the fixture, in order to prevent possible shock.

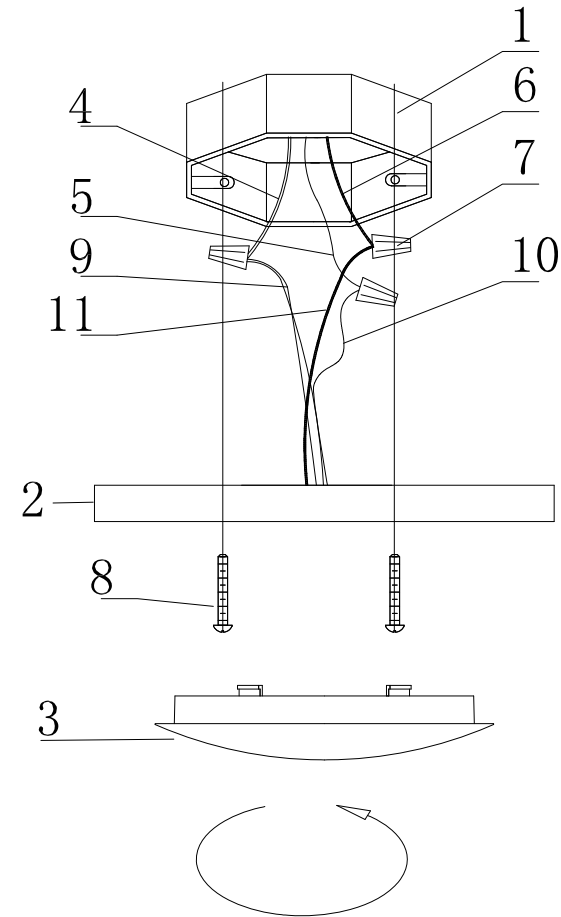
## GENERAL

All electrical connections must be in accordance with local and National Electrical Code (N.E.C.) standards. If you are unfamiliar with proper electrical wiring connections, obtain the services of a qualified electrician.

Remove the fixture and the mounting package from the box and make sure that no parts are missing by referencing the illustrations on the installation instructions.

## ASSEMBLY AND INSTALLATION

1. Pull the supply wires (4 &5) and house ground wire (6) out from the outlet box (1). Thread the fixture screws (8) into the appropriate threaded holes of the outlet box (1).
3. Electrical connections, connect the black fixture black wire (10) to the black supply wire (5) and the white fixture wire (9) to the white supply wire (4) using wire nut (7).
4. Connect the fixture ground wire (11) to the supply ground wire (6) together using wire nut (7).  
Wrap all wire connections with electrical tape to ensure secure connection.
5. Carefully tuck all wires back into the outlet box. Place the fixture pan (2) over outlet box and feed fixture screws (8) through keyhole slots. Rotate the fixture pan(2) clockwise until screws(8) slid into the narrow end of the keyhole slots and tighten firmly.
6. Final assembly- Attach the lens (3) and rotate clockwise in place securely.
7. Installation complete, restore power at the circuit breaker and turn light switch on to activate this fixture.
8. This is integrated led fixture, no bulbs to replace



1. OUTLET BOX (EXCLUDED)
2. FIXTURE PAN
3. LENS
4. WHITE SUPPLY WIRE
5. BLACK SUPPLY WIRE
6. HOUSE GROUND WIRE
7. WIRE NUTS
8. FIXTURE SCREWS
9. WHITE FIXTURE WIRE
10. BLACK FIXTURE WIRE
11. FIXTURE GROUND WIRE