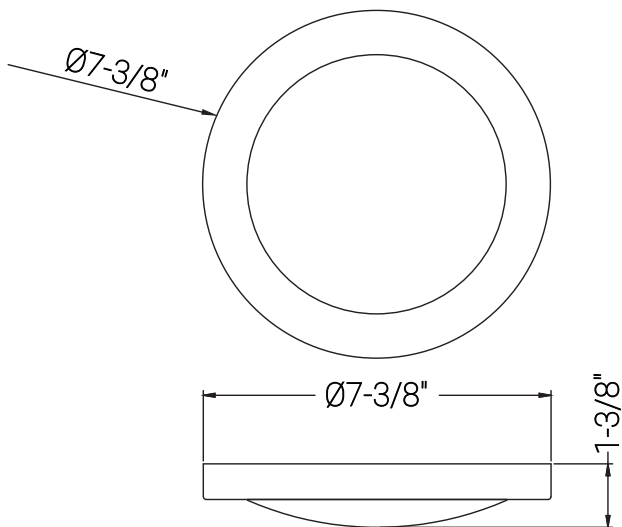


# 88352-SU



LFX/DCO7/MINI/BN/D/15W/40K

LED Surface Mount Mini Downlight, 15 Watt, Dimmable, Brushed Nickel Finish, energy saving, 40K - Cool White



Project: \_\_\_\_\_  
Type: \_\_\_\_\_  
Catalog #: \_\_\_\_\_  
Date: \_\_\_\_\_  
Comments: \_\_\_\_\_

## Technical Specifications

### Photometrics

Lumen	1020
Emitted Color	Cool White
Color Temp	4000K
Color Rendering Index (CRI)	81
Beam Angle	120°
Lifespan	50000

### Electrical

Watt	15
Input Voltage	120
Power Factor	0.9
Dimmable	Forward Phase (Triac or Incandescent)

### Ratings / Certifications

Safety Certification	ETL - Damp Location
Energy Star Certified	True
Operating Temperature	
Warranty	5 Years

### Construction

Fixture Material	Steel & Acrylic
Fixture Finish	Brushed Nickel
Lens Material	
Lens Finish	White
Shape	Round
Mounting	Indoor

