

INSTALLATION INSTRUCTIONS

Please read carefully and save these instructions, as you may need them at a later date.

CAUTION

Turn off the main power at the circuit breaker before installing the fixture, in order to prevent possible shock.

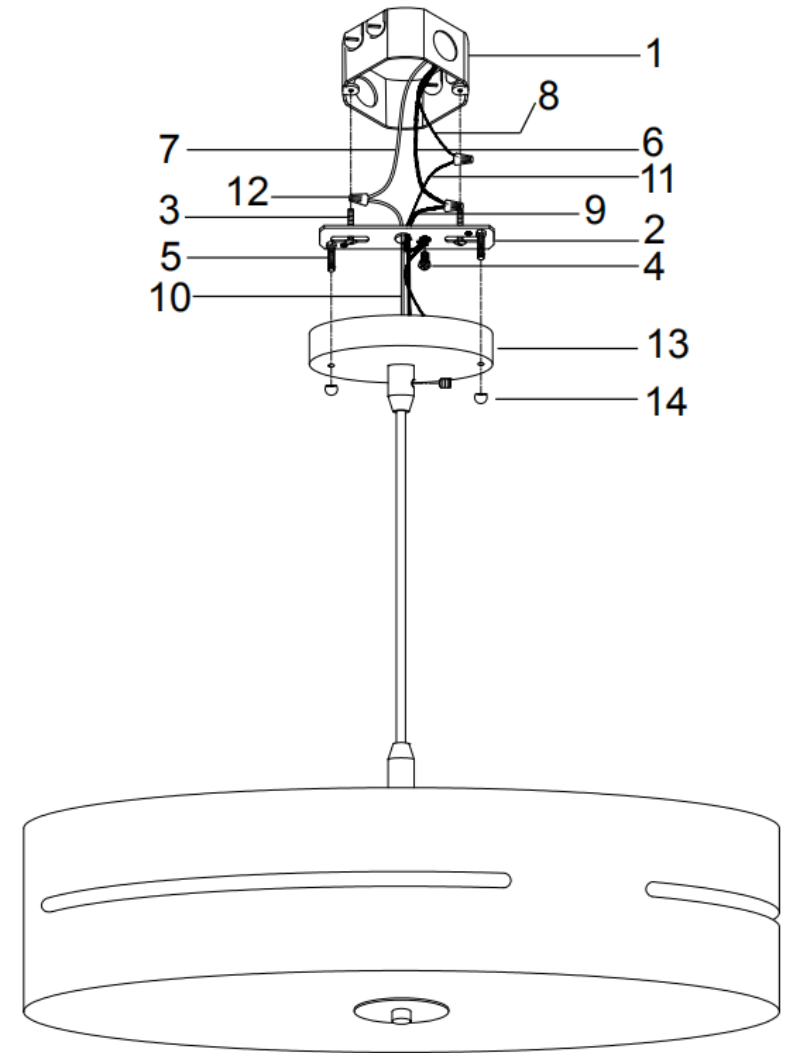
GENERAL

All electrical connections must be in accordance with local and National Electrical Code (N.E.C.) standards. If you are unfamiliar with proper electrical wiring connections obtain the services of a qualified electrician.

Remove the fixture and the mounting package from the box and make sure that no parts are missing by referencing the illustrations on the installation instructions.

ASSEMBLY AND INSTALLATION

1. Thread FIXTURE MOUNTING SCREWS(5) into MOUNTING BRACK(2) and adjust it until it produces 1/4" out from the CANOPY(13).
2. Pull the power supply wires out from the OUTLET BOX (1) carefully, and mount the MOUNTING BRACKET (2) to the OUTLET BOX (1) by using MOUNTING SCREWS (3).
3. Connect BLACK SUPPLY WIRE (6) to FIXTURE BLACK WIRE (9), connect WHITE SUPPLY WIRE (7) to FIXTURE WHITE WIRE (10) and connect SUPPLY GROUND WIRE (8) to FIXTURE GROUND WIRE (11) using a WIRE CONNECTORS (12). And wrap all wire connectors with electrical tape for a more secure connection.
4. Partially thread GREEN GROUNDING SCREW (4) into side hole of MOUNTING BRACKET (2). Wrap grounding wire from fixture around green grounding screw stem and leave enough excess wire.
5. Place the CANOPY (13) over back onto the FIXTURE MOUNTING SCREWS (5), and secure it into place by using the DECORATIVE NUTS (14). And tighten to secure the fixture to the ceiling.



- | | |
|----------------------------|-------------------------|
| 1. OUTLET BOX(Not include) | 8. SUPPLY GROUND WIRE |
| 2. MOUNTING BRACKET | 9. FIXTURE BLACK WIRE |
| 3. MOUNTING SCREWS | 10. FIXTURE WHITE WIRE |
| 4. GREEN GROUNDINGD SCREW | 11. FIXTURE GROUND WIRE |
| 5. FIXTURE MOUNTING SCREW | 12. WIRE CONNECTORS |
| 6. BLACK SUPPLY WIRE | 13. CANOPY |
| 7. WHITE SUPPLY WIRE | 14. DECORATIVE NUT |