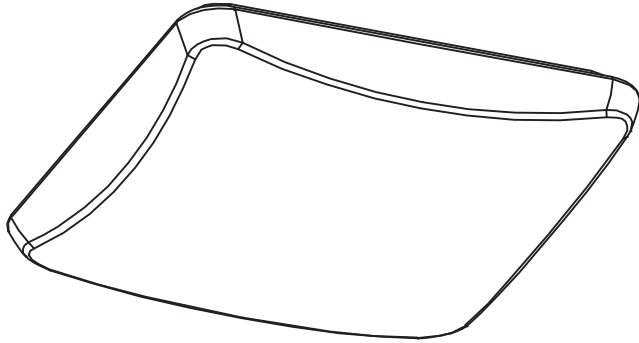


sunlite® INSTALLATION INSTRUCTIONS

Model: LED SQUARE MUSHROOM STYLE CEILING FIXTURES
88690-SU | 88691-SU | 88692-SU | 88693-SU



Please read and understand this entire manual before attempting to assemble, operate or install the product.

WARNING: Avoid fire or electric shock. Follow installation instructions carefully. Risk of fire or electric shock. LED Retrofit Kit installation requires knowledge of luminaire electrical systems. If not qualified, do not attempt installation. Contact a qualified electrician. Wear rubber-soled shoes and work on a sturdy ladder. Ground fixture to avoid potential electrical shock. Do not make or alter any open holes in an enclosure of wiring or electrical components during installation. To prevent wiring damage or abrasion, do not expose wiring to edges of sheet metal or other sharp objects.

CAUTION: Turn off the power at fuse or circuit breaker box before installation and maintenance to avoid electric shock. This fixture should only be used on 120-Volt fused circuits. Fixture must be installed according to National Electric Code and local building codes. If you are unsure about wiring consult a qualified electrician. **THIS FIXTURE BODY IS ONE PIECE, DO NOT DISASSEMBLE OR MAKE ALTERATIONS.** Not to be used for emergency lighting. Suitable for damp locations.

This device complies with part 15 of the FCC Rules. Operation is subject to the following two conditions: (1) this device may not cause harmful interference, and (2) this device must accept any interference received, including that may cause undesired operation.

Retain these instructions for future maintenance reference.

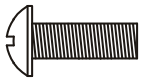
DIMMABLE

The lamp may not be compatible with all dimmers.
Go to www.Sunlite.com/Dimmers to find dimmer compatibility information.



Package Contents

AA



Short Screw
Qty. 2

BB



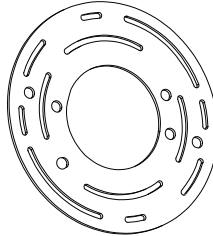
Long Screw
Qty. 2

CC



Wire Nut
Qty. 3

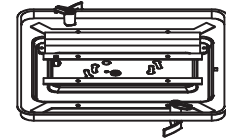
DD



Crossbar
(Not to scale)
Qty. 1

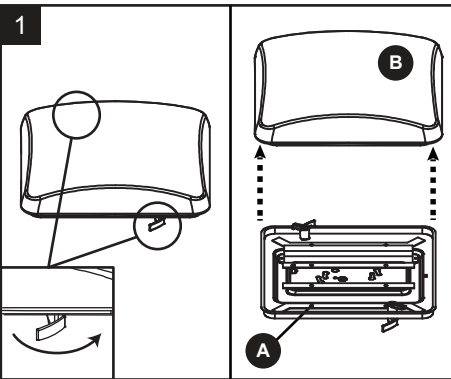


B

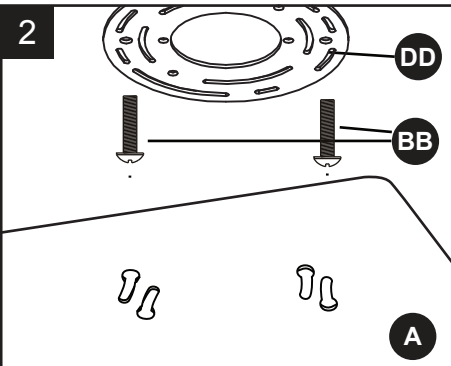


A

Installation



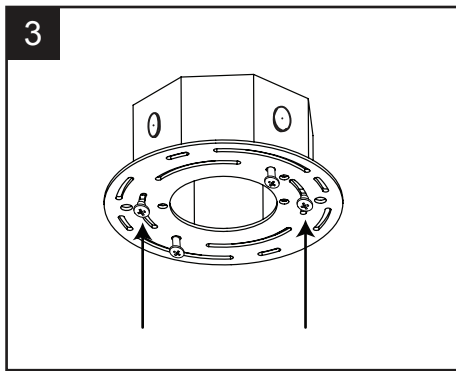
1. Release the two diffuser latches around the edge of the fixture pan (A) base by gently pulling the lever out as shown. Once diffuser is unlocked, lift diffuser (B) away from fixture pan (A) and set aside.



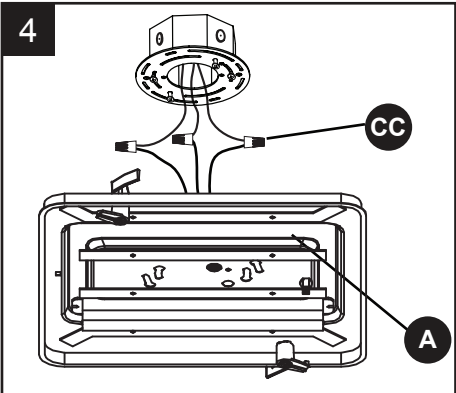
2. Align two of the threaded holes on crossbar (DD) over one set of keyhole slots on the fixture pan (A). From the inside of fixture pan (A), insert long screws (BB) into aligned holes, leaving about 1 in. of space between the screw heads and crossbar (DD).

Note: Do not install fixture pan (A) yet.

Installation(cont.)



3. Attach crossbar (DD) to outlet box (not included) using short screws (AA).

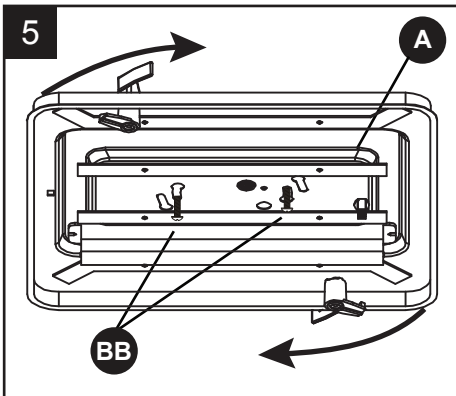


4. Ensure electric has been shut off at circuit breaker or fuse removed.

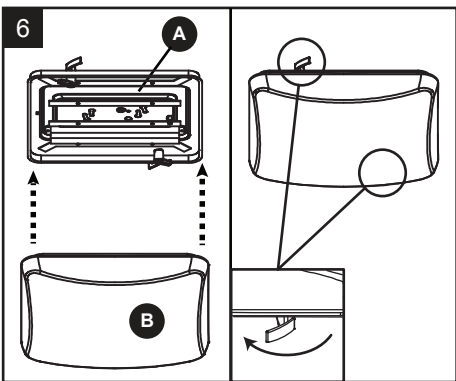
Connect the fixture wires to the supply wires -- black to black, white to white, and green to copper/bare.

WARNING: if there is no ground supply wire, stop installation and consult a qualified electrician.

Once wire connections are made, secure each with a wire nut (CC).



5. Lift fixture pan (A) up toward ceiling and carefully tuck wires into outlet box. Align keyholes on fixture pan (A) with long screws (BB), then twist fixture pan (A) until the long screws (BB) engage the narrow end of the keyholes. Tighten long screws (BB) to secure.



6. Align the diffuser (B) over the fixture plate (A) and gently close the two diffuser locks by turning the levers in towards the fixture. Ensure that the diffuser is fully supported and secured to fixture plate before releasing and completing the installation.

Sunshine Lighting Company

744 Clinton Street Brooklyn, NY 11231, USA

T. 718.768.7000

F. 718.768.0970

www.sunlite.com