



INSTALLATION INSTRUCTIONS

89123-SU | LFX/RDL/4S/9W/DIM/ES/30K | LED RETROFIT FIXTURE
89124-SU | LFX/RDL/4S/9W/DIM/ES/40K | LED RETROFIT FIXTURE

Package Contents

PART	DESCRIPTION	QUANTITY
A	Adapter	1
B	Lamp	1

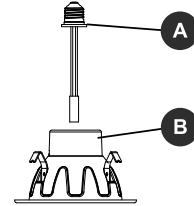


Please read and understand this entire manual before attempting to assemble, operate or install the product.

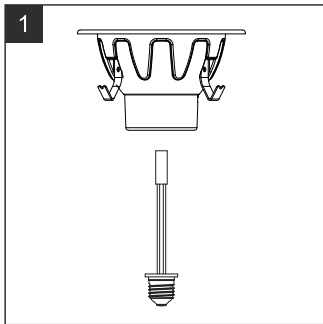
WARNING: Avoid fire or electric shock. Follow installation instructions carefully. If unsure about electrical installation, consult a qualified electrician. Wear rubber-soled shoes and work on a sturdy wooden ladder. Ground fixture to avoid potential electric shock. Handle metal parts carefully to prevent cuts. To avoid a hazard to children, account for all parts and destroy all packing materials.

CAUTION: Turn off the power at fuse or circuit breaker box before installation and maintenance. **NOTE:** This fixture should be used on a 120-Volt fused circuit (check fixture labeling). Fixture must be installed according to National Electric Code and local building codes. If you are unsure about wiring, consult a qualified electrician.

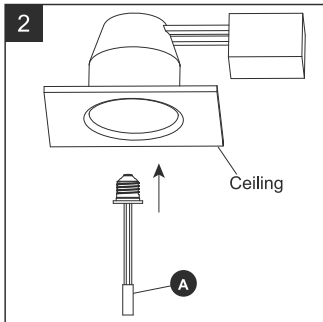
This device complies with part 15 of the FCC Rules. Operation is subject to the following two conditions: (1) this device may not cause harmful interference, and (2) this device must accept any interference received, including that may cause undesired operation.



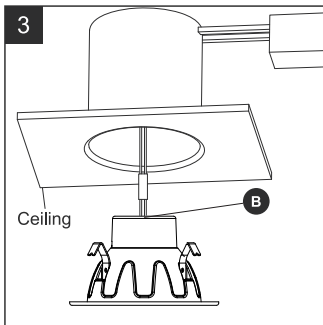
Installation



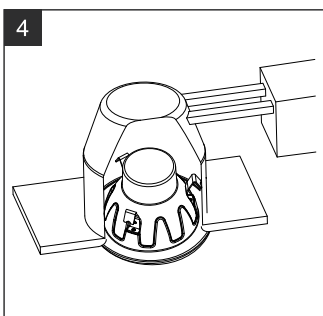
1. Make sure the power is turned off at the source to the recessed housing(s) where the fixture(s) will be installed.



2. Screw adaptor (A) into socket in recessed housing.



3. Plug base cable connector on adaptor (A) into lamp (B)



4. Insert recessed downlight into fixture housing. Use clips to keep in place. Carefully route wires into fixture and push recessed kit up flush to ceiling surface.