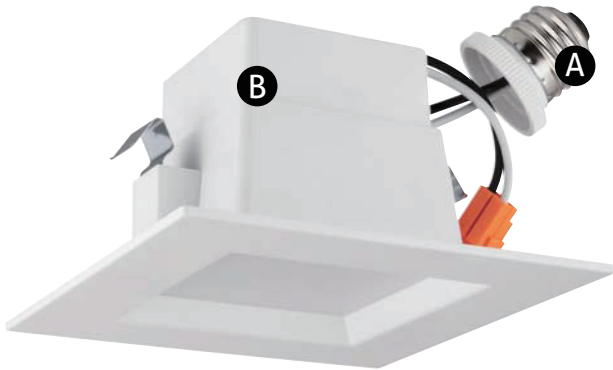




INSTALLATION INSTRUCTIONS

89277-SU | LFX/RDL/4S/10W/D/E/30K | LED RETROFIT FIXTURE
89279-SU | LFX/RDL/4S/10W/D/E/50K | LED RETROFIT FIXTURE



Installation



Please read and understand this entire manual before attempting to assemble, operate or install the product.

WARNING: Avoid fire or electric shock. Follow installation instructions carefully. Risk of fire or electric shock. LED Retrofit Kit installation requires knowledge of luminaires electrical systems. If not qualified, do not attempt installation. Contact a qualified electrician.

Install this kit only in luminaires that have the construction features and dimensions shown in the photographs and/or drawings and where the input rating of the retrofit kit does not exceed the input rating of the luminaire. Wear rubber-soled shoes and work on a sturdy ladder. Ground fixture to avoid potential electrical shock. Do not make or alter any open holes in an enclosure of wiring or electrical components during kit installation. To prevent wiring damage or abrasion, do not expose wiring to edges of sheet metal or other sharp objects.

CAUTION: Turn off the power at fuse or circuit breaker box before installation and maintenance to avoid electric shock. This retrofit should be used on 120-Volt fused circuits. Fixture must be installed according to National Electric Code and local building codes. If you are unsure about wiring consult a qualified electrician. THIS FIXTURE BODY IS ONE PIECE, DO NOT DISASSEMBLE OR MAKE ALTERATIONS. Not to be used for emergency lighting. Suitable for wet locations.

This device complies with part 15 of the FCC Rules. Operation is subject to the following two conditions: (1) this device may not cause harmful interference, and (2) this device must accept any interference received, including that may cause undesired operation.

Retain these instructions for future maintenance reference.

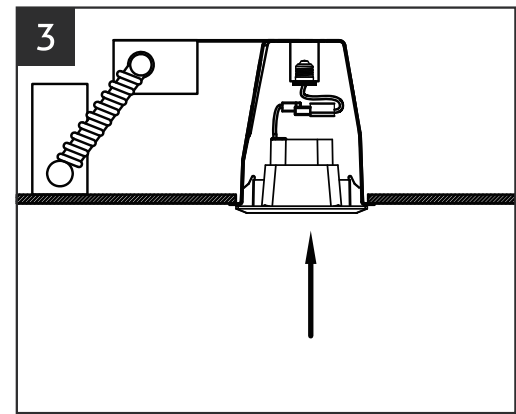
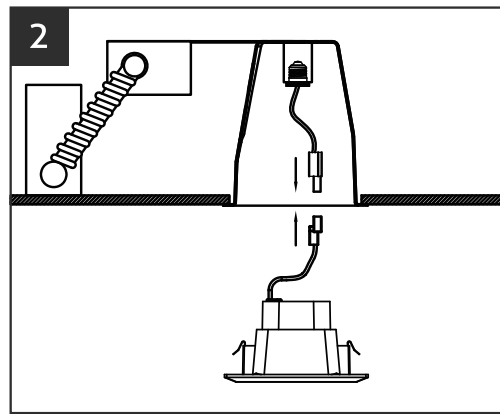
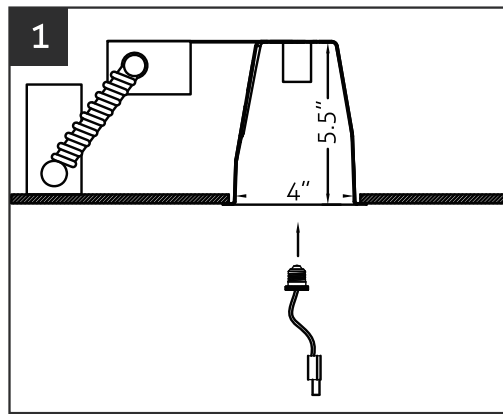
Package Contents

PART	DESCRIPTION	QTY
A	Adapter	1
B	Lamp	1



DIMMABLE

The lamp may not be compatible with all dimmers. Go to www.Sunlite.com/Dimmers to find dimmer compatibility information.



STEP 1. Make sure the power is turned off at the source to the recessed can.

STEP 2. Screw the medium (E26) socket adapter into recessed can socket by turning clockwise (Fig. 1).

STEP 3. Plug the medium (E26) adapter's male connector to the downlight's female connector (Fig. 2).

STEP 4. Push the downlight up into recessed can firmly until the trim is flush with the ceiling (Fig. 3).

Sunshine Lighting Company

744 Clinton Street Brooklyn, NY 11231, USA

T. 718.768.7000

F. 718.768.0970

www.sunlite.com