

# Direct to Junction Box Recessed Downlight



## Installation Instructions

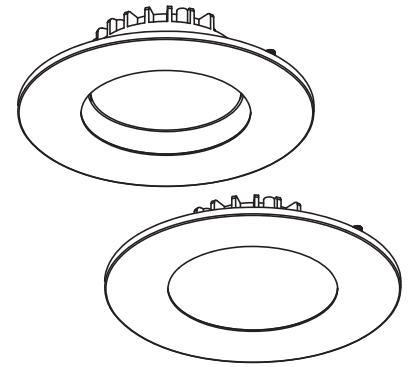
Please read and understand this entire manual before attempting to assemble, operate or install the product. Retain for future reference.

**WARNING:** Avoid fire or electric shock. Follow installation instructions carefully. If unsure about electrical installation, consult a qualified electrician. Wear rubber-soled shoes and work on a sturdy wooden ladder. Ground fixture to avoid potential electric shock. Handle metal parts carefully to prevent cuts. To avoid a hazard to children, account for all parts and destroy all packing materials. Type IC - inherently protected. Airtight rated. Use only on 120 volt 60Hz circuits. Operating temperature -30°C – 40°C (-22°F – 104 °F). This product is suitable for wet locations.

Turn off power at fuse or circuit breaker box before installation and maintenance. Fixture must be installed according to National Electric Code and local building codes. If you are unsure about wiring, consult a qualified electrician. **THIS FIXTURE BODY IS ONE PIECE, DO NOT DISASSEMBLE OR MAKE ALTERATIONS.**

**LIMITED WARRANTY:** This fixture is warranted to be free from defects in workmanship and material for up to 5 years when used in accordance with package and fixture directions. Visit [www.sunlite.com/warranty](http://www.sunlite.com/warranty) for more information and for warranty claim.

\*The fixture may not be compatible with all dimmers. Go to [www.Sunlite.com/Dimmers](http://www.Sunlite.com/Dimmers) to find dimmer compatibility information.



### Included Hardware

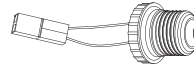
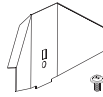
Wire Nuts x3

Junction Box Screw x2

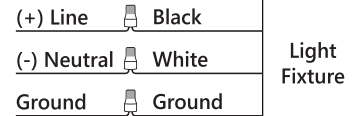
Grounding Screw

Butterfly Clip x2

Retrofit Adapter



### Wiring Diagram

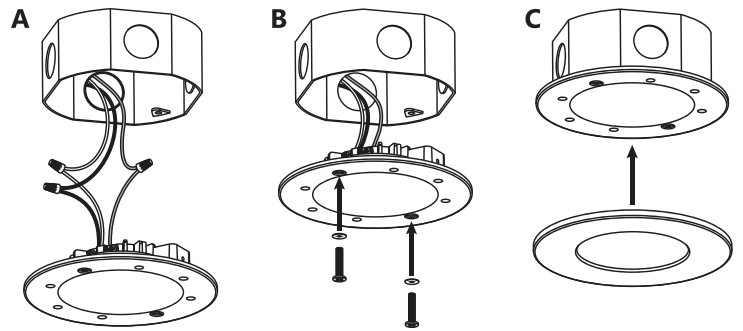


**WARNING! BEFORE PROCEEDING, PLEASE ENSURE POWER HAS BEEN SWITCHED OFF.**

### For installation to octagon junction box

(REGRESSED VERSION MUST USE A DEEP JUNCTION BOX)

1. Pull out the source wires from the junction box. Connect wires (using wiring diagram) to fixture (Fig. A). Cap connections with wire nuts (included).
2. Push wires into junction box then secure assembly with screws (included). (Fig B)
3. Attach trim (sold separately) by placing over fixture, which will snap into place via magnetic connectors. (Fig. C)



### For installation to 4" recessed can

1. Remove existing bulb and trim from recessed can.
2. Secure the butterfly clips to the fixture with screws (Fig. D)
3. Secure the medium base adapter into socket in recessed housing. (Fig. E)
4. Insert the wires from the fixture into the quick connector. Connect the live (black) wire to the marked slot of the quick connector (Fig. F)
5. Connect the ground wire (yellow-green) by securing the terminal ring to the recessed housing using the provided self-tapping screw. Connect the quick connectors then push fixture up into recessed can and ensure it is secure. (Fig. G)
6. Attach trim (sold separately) by placing over fixture, which will snap into place via magnetic connectors. (Fig. C)

