

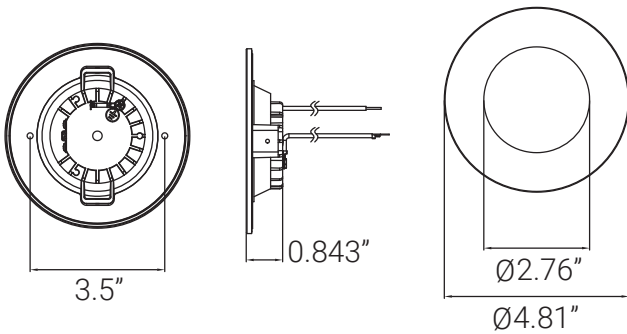
# 87690-SU

**sunlite**

SF/DFL/RD/4/10/940/120/WH

4" Round Flat Lens Downlight Junction Box/Retrofit 10W 90Cri  
4000K 120V W/ White Trim

Project: \_\_\_\_\_  
Type: \_\_\_\_\_  
Catalog #: \_\_\_\_\_  
Date: \_\_\_\_\_  
Comments: \_\_\_\_\_



## Technical Specifications

### Photometrics

Lumen	900
Emitted Color	Cool White
Color Temp	4000K
Color Rendering Index (CRI)	90
Beam Spread	0
Lifespan	5

### Electrical

Watt	10
Input Voltage	120
Power Factor	0.9
Dimmable	TRUETRUE

### Ratings / Certifications

Safety Certification	ETL Listed - Wet Location
Operating Temperature	0
Warranty	5 Years

### Construction

Fixture Material	0
Fixture Finish	White
Lens Material	0
Lens Finish	White
Shape	Round

